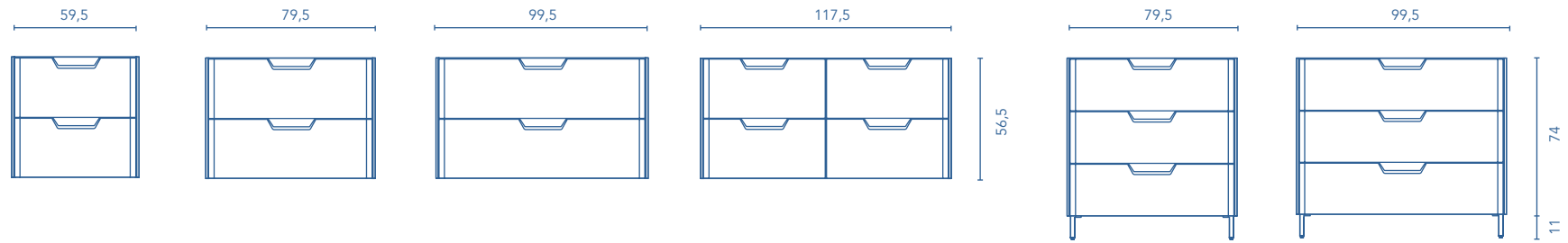


FURNITURE AND AUXILIARIES

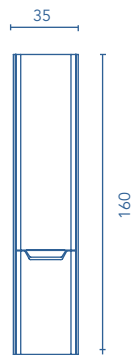
UNITS

Depth 45



COLUMN

Depth 25



FINISHES



NORDIC OAK



SAMARA ASH



WHITE

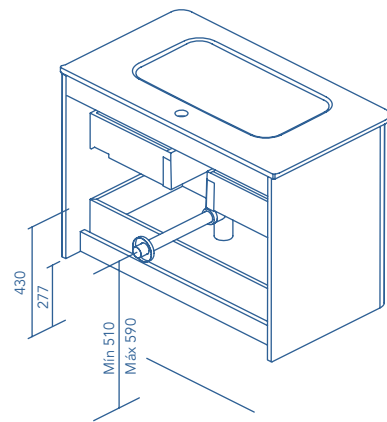


ANTHRACITE

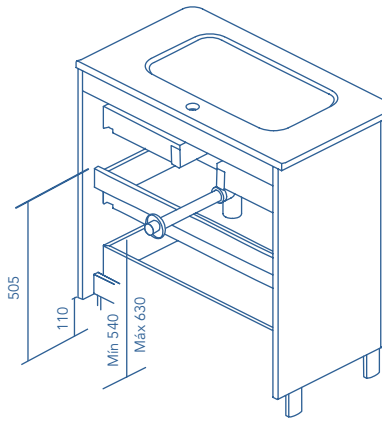
* Measures in cm.

Rear plumbing 7 cm.

2 Drawers



3 Drawers



| SIDE PANELS | FRONTS | DRAWERS | | | | HANDLE | FINISHES | RANGE WIDERING | | |
|--------------|--------------|-------------------------|-----------------------|------------------|------------|--------------|----------|----------------|--------------|----------------|
| | | Fully removable Hettich | Moka textile interior | Drawer organizer | Soft close | | | D-46 | Wall hanging | Floor standing |
| MDF 16 mm | MDF 16 mm | | | | | Metal handle | Foil 2D | | | |

Dimensions indicated in the drawing are based on the level of the whole leg, in case of wall hanging the furniture dimensions also may vary. The measures of these schemes are represented in mm.