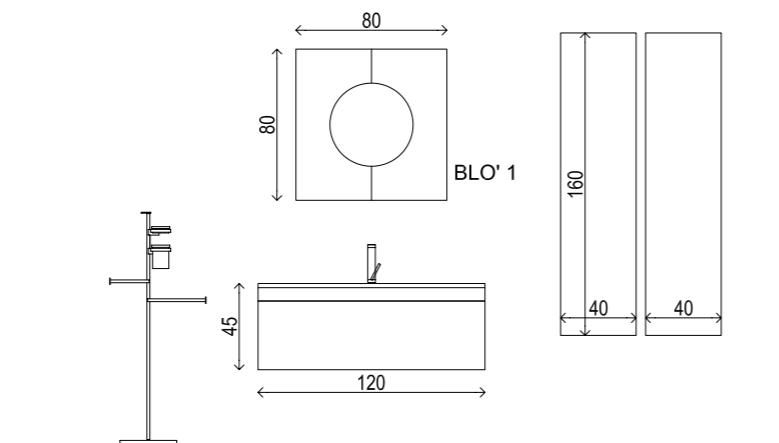


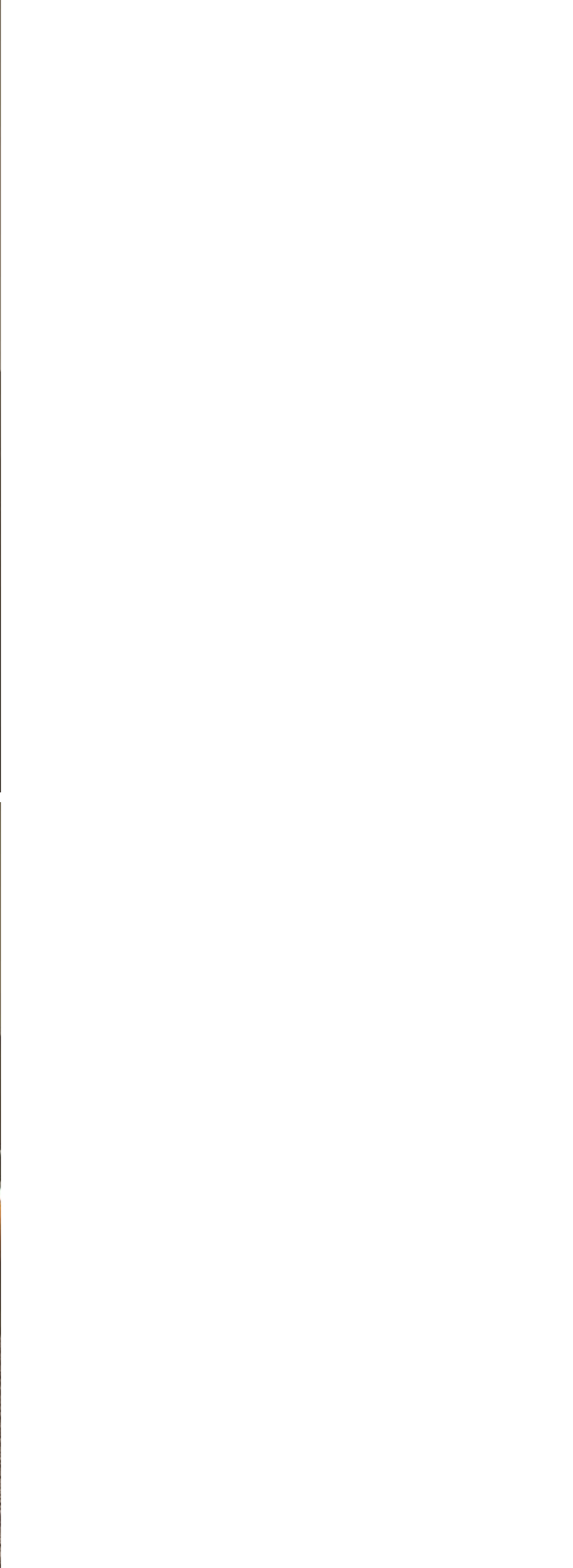
MARATHI



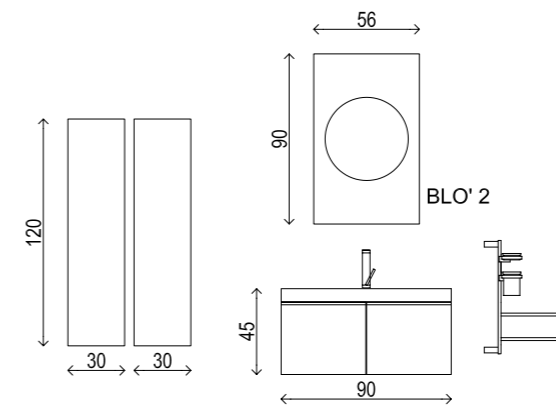


MARATHI
design by Emanuele Montanelli

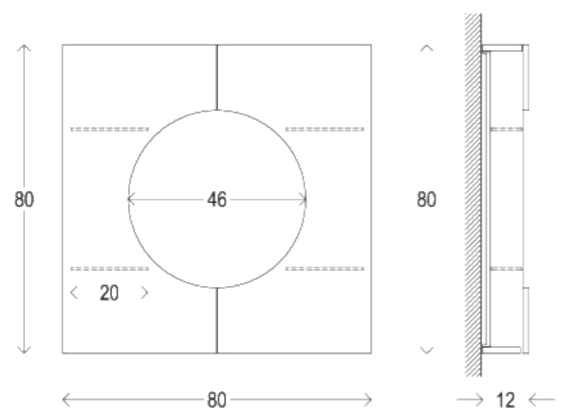
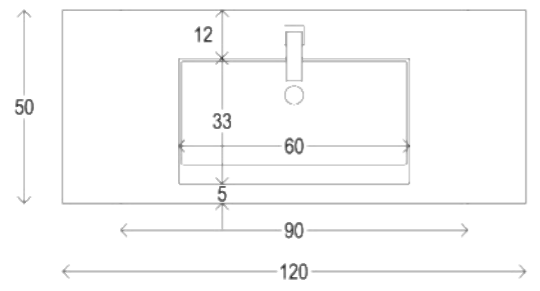
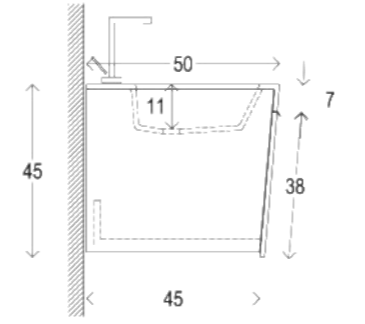
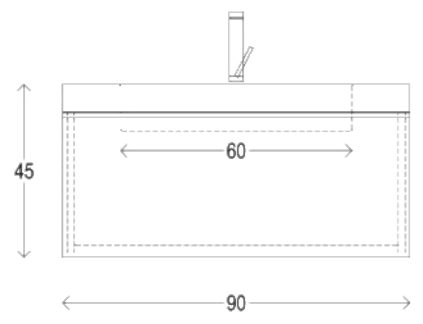
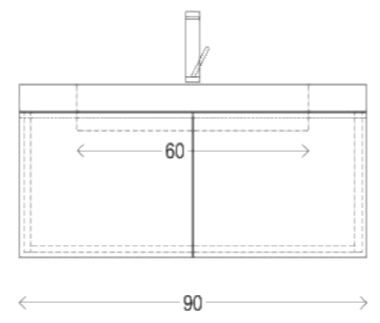
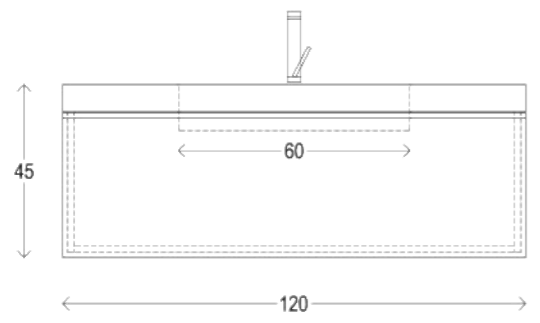




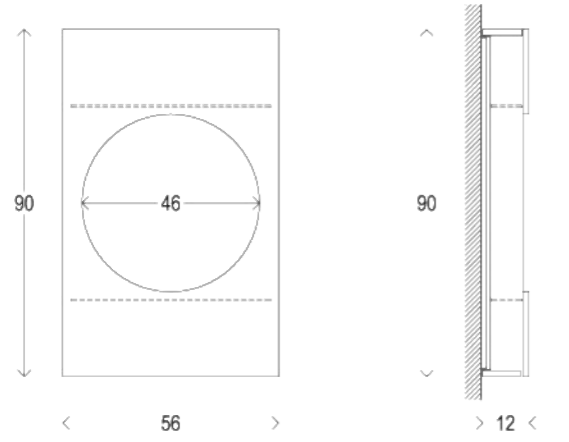








BLO' 1



BLO' 2

